



Fork Lift Radiator Quick Catalog



Application Guide

Verify with Image before ordering

Wherever you go, we have your Thermal Solution!! Call your local Heavy Duty Branch today for more detail.

Make	Model	Year Range	Cooler Notes	Build Type	Core Size	Connections	Notes	Part Number	Image Page
HYSTER / YALE	H25-35XM	01-05	w/fan side TOC	PTA	16 3/4 x 16 7/8 x 1 7/8	Inlet 1 3/8 & Outlet 1 3/8		437789	17
HYSTER / YALE	S25-35XM	01-05	w/fan side TOC	PTA	16 3/4 x 16 7/8 x 1 7/8	Inlet 1 3/8 & Outlet 1 3/8		437789	17
HYSTER / YALE	S25-40XM	01-05	w/fan side TOC	PTA	16 3/4 x 16 7/8 x 1 7/8	Inlet 1 3/8 & Outlet 1 3/8		437789	17
HYSTER / YALE	S40XMS	01-05	w/fan side TOC	PTA	16 3/4 x 16 7/8 x 1 7/8	Inlet 1 3/8 & Outlet 1 3/8		437789	17
HYSTER / YALE	H177	95-01	w/fan side TOC	PTA	18 11/16 x 16 7/8 x 1 7/8	Inlet 1 3/8 & Outlet 1 3/8	Compare Image with 437797	437794	17
HYSTER / YALE	H177	95-01	w/fan side TOC	PTA	18 11/16 x 16 7/8 x 1 7/8	Inlet 1 3/8 & Outlet 1 3/8	Compare Image with 437794	437797	18
HYSTER / YALE	H45-65XM	95-01	w/fan side TOC	PTA	18 11/16 x 16 7/8 x 1 7/8	Inlet 1 3/8 & Outlet 1 3/8	Compare Image with 437797	437794	17



Fork Lift Radiator Quick Catalog



Application Guide

Verify with Image before ordering

Wherever you go, we have your Thermal Solution!! Call your local Heavy Duty Branch today for more detail.

Make	Model	Year Range	Cooler Notes	Build Type	Core Size	Connections	Notes	Part Number	Image Page
HYSTER / YALE	H45-65XM	95-01	w/fan side TOC	PTA	18 11/16 x 16 7/8 x 1 7/8	Inlet 3/8 & Outlet 3/8	Compare Image with 437794	437797	18
KOMATSU	SEE IMAGE	UKNW	w/fan side TOC	PTA	17 3/4 x 16 7/8 x 1 7/8	Inlet 3/8 & Outlet 3/8		437780	27
KOMATSU	SEE IMAGE	UKNW		PTA	17 3/4 x 16 7/8 x 1 7/8	Inlet 3/8 & Outlet 3/8		437781	27
KOMATSU	SEE IMAGE	UKNW	w/fan side TOC	PTA	19 3/4 x 16 7/8 x 1 7/8	Inlet 3/8 & Outlet 3/8		437784	29
KOMATSU	SEE IMAGE	UKNW	w/fan side TOC	PTA	20 5/8 x 17 5/8 x 1 7/8	Inlet 3/8 & Outlet 3/8		437786	18
KOMATSU	SEE IMAGE	UKNW	w/fan side TOC	PTA	20 5/8 x 17 5/8 x 1 7/8	Inlet 3/8 & Outlet 3/8		437776	25
MCFA	SEE IMAGE	UKNW	w/fan side TOC	PTA	15 3/4 x 17 5/8 x 1 7/8	Inlet 3/8 & Outlet 3/8		437777	25



Fork Lift Radiator Quick Catalog

Application Guide

Verify with Image before ordering



Wherever you go, we have your Thermal Solution!! Call your local Heavy Duty Branch today for more detail.

Make	Model	Year Range	Cooler Notes	Build Type	Core Size	Connections	Notes	Part Number	Image Page
MCFA	FG25N	UKNW	w/fan side TOC	PTA	17 11/16 x 17 5/8 x 1 7/8	Inlet 3/8 & Outlet 3/8	wo/Bottom Pin Bracket	437791	19
MCFA	FG25N	UKNW	w/fan side TOC	PTA	17 11/16 x 17 5/8 x 1 7/8	Inlet 3/8 & Outlet 3/8	w/Bottom Pin Bracket	437792	19
MCFA	GP35A	UKNW	w/fan side TOC	PTA	17 11/16 x 17 5/8 x 1 7/8	Inlet 3/8 & Outlet 3/8	wo/Bottom Pin Bracket	437791	19
MCFA	GP35A	UKNW	w/fan side TOC	PTA	17 11/16 x 17 5/8 x 1 7/8	Inlet 3/8 & Outlet 3/8	w/Bottom Pin Bracket	437792	19
MCFA	P5000	UKNW	w/fan side TOC	PTA	17 11/16 x 17 5/8 x 1 7/8	Inlet 3/8 & Outlet 3/8	wo/Bottom Pin Bracket	437791	19
MCFA	P5000	UKNW	w/fan side TOC	PTA	17 11/16 x 17 5/8 x 1 7/8	Inlet 3/8 & Outlet 3/8	w/Bottom Pin Bracket	437792	19
NISSAN	SEE IMAGE	UKNW	w/fan side TOC	PTA	16 3/4 x 17 5/8 x 1 7/8	Inlet 3/8 & Outlet 3/8		437775	24



Fork Lift Radiator Quick Catalog

Application Guide

Verify with Image before ordering



Wherever you go, we have your Thermal Solution!! Call your local Heavy Duty Branch today for more detail.

Make	Model	Year Range	Cooler Notes	Build Type	Core Size	Connections	Notes	Part Number	Image Page
NISSAN	SEE IMAGE	UKNW	w/fan side TOC	PTA	16 3/4 x 17 5/8 x 1 7/8	Inlet 1 3/8 & Outlet 1 3/8		437779	26
NISSAN	SEE IMAGE	UKNW	w/fan side TOC	PTA	17 11/16 x 17 5/8 x 1 7/8	Inlet 1 3/8 & Outlet 1 3/8		437788	20
NISSAN	SEE IMAGE	UKNW	w/fan side TOC	PTA	17 3/4 x 17 5/8 x 1 7/8	Inlet 1 3/8 & Outlet 1 3/8		437778	26
TCM	SEE IMAGE	UKNW	w/fan side TOC	PTA	17 3/4 x 16 7/8 x 1 7/8	Inlet 1 3/8 & Outlet 1 3/8		437782	28
TOYOTA	7FDU151DZ	02-PR	w/fan side TOC	PTA	17 11/16 x 17 5/8 x 1 7/8	Inlet 1 3/8 & Outlet 1 3/8	wo/Top Pin Bracket	437790	20
TOYOTA	7FDU151DZ	02-PR	w/fan side TOC	PTA	17 11/16 x 17 5/8 x 1 7/8	Inlet 1 3/8 & Outlet 1 3/8	w/Top Pin Bracket	437799	21
TOYOTA	7FDU181DZ	02-PR	w/fan side TOC	PTA	17 11/16 x 17 5/8 x 1 7/8	Inlet 1 3/8 & Outlet 1 3/8	wo/Top Pin Bracket	437790	20



Fork Lift Radiator Quick Catalog

Application Guide

Verify with Image before ordering



Wherever you go, we have your Thermal Solution!! Call your local Heavy Duty Branch today for more detail.

Make	Model	Year Range	Cooler Notes	Build Type	Core Size	Connections	Notes	Part Number	Image Page
TOYOTA	7FDUI81DZ	02-PR	w/fan side TOC	PTA	17 11/16 x 17 5/8 x 1 7/8	Inlet 3/8 & Outlet 3/8	w/Top Pin Bracket	437799	21
TOYOTA	7FGCU154Y	02-PR	w/fan side TOC	PTA	17 11/16 x 17 5/8 x 1 7/8	Inlet 3/8 & Outlet 3/8	wo/Top Pin Bracket	437790	20
TOYOTA	7FGCU154Y	02-PR	w/fan side TOC	PTA	17 11/16 x 17 5/8 x 1 7/8	Inlet 3/8 & Outlet 3/8	w/Top Pin Bracket	437799	21
TOYOTA	7FGU15	99-11	w/fan side TOC	PTA	17 11/16 x 17 5/8 x 1 7/8	Inlet 3/8 & Outlet 3/8	wo/Top Pin Bracket	437790	20
TOYOTA	7FGU15	99-11	w/fan side TOC	PTA	17 11/16 x 17 5/8 x 1 7/8	Inlet 3/8 & Outlet 3/8	w/Top Pin Bracket	437799	21
TOYOTA	7FGU20	99-11	w/fan side TOC	PTA	17 11/16 x 17 5/8 x 1 7/8	Inlet 3/8 & Outlet 3/8	wo/Top Pin Bracket	437790	20
TOYOTA	7FGU20	99-11	w/fan side TOC	PTA	17 11/16 x 17 5/8 x 1 7/8	Inlet 3/8 & Outlet 3/8	w/Top Pin Bracket	437799	21



Fork Lift Radiator Quick Catalog

Application Guide

Verify with Image before ordering



Wherever you go, we have your Thermal Solution!! Call your local Heavy Duty Branch today for more detail.

Make	Model	Year Range	Cooler Notes	Build Type	Core Size	Connections	Notes	Part Number	Image Page
TOYOTA	SEE IMAGE	UKNW	w/fan side TOC	PTA	17 11/16 x 17 5/8 x 1 7/8	Inlet 3/8 & Outlet 3/8		437783	28
TOYOTA	027FDF20	01-PR	w/fan side TOC	PTA	19 3/4 x 16 7/8 x 1 7/8	Inlet 3/8 & Outlet 3/8		437793	22
TOYOTA	028FDF30	99-02	w/fan side TOC	PTA	19 3/4 x 16 7/8 x 1 7/8	Inlet 3/8 & Outlet 3/8	wo/Top Pin Bracket	437787	21
TOYOTA	028FDF30	99-02	w/fan side TOC	PTA	19 3/4 x 16 7/8 x 1 7/8	Inlet 3/8 & Outlet 3/8	w/Top Pin Bracket	437798	22
TOYOTA	0427FDF20	01-PR	w/fan side TOC	PTA	19 3/4 x 16 7/8 x 1 7/8	Inlet 3/8 & Outlet 3/8		437793	22
TOYOTA	627FDF20	01-PR	w/fan side TOC	PTA	19 3/4 x 16 7/8 x 1 7/8	Inlet 3/8 & Outlet 3/8		437793	22
TOYOTA	7FDU201DZ	99-02	w/fan side TOC	PTA	19 3/4 x 16 7/8 x 1 7/8	Inlet 3/8 & Outlet 3/8	wo/Top Pin Bracket	437787	21



Fork Lift Radiator Quick Catalog



Application Guide

Verify with Image before ordering

Wherever you go, we have your Thermal Solution!! Call your local Heavy Duty Branch today for more detail.

Make	Model	Year Range	Cooler Notes	Build Type	Core Size	Connections	Notes	Part Number	Image Page
TOYOTA	7FDU201DZ	99-02	w/fan side TOC	PTA	19 3/4 x 16 7/8 x 1 7/8	Inlet 3/8 & Outlet 3/8	w/Top Pin Bracket	437798	22
TOYOTA	7FDU251DZ	99-02	w/fan side TOC	PTA	19 3/4 x 16 7/8 x 1 7/8	Inlet 3/8 & Outlet 3/8	wo/Top Pin Bracket	437787	21
TOYOTA	7FDU251DZ	99-02	w/fan side TOC	PTA	19 3/4 x 16 7/8 x 1 7/8	Inlet 3/8 & Outlet 3/8	w/Top Pin Bracket	437798	22
TOYOTA	7FDU301DZ	99-02	w/fan side TOC	PTA	19 3/4 x 16 7/8 x 1 7/8	Inlet 3/8 & Outlet 3/8	wo/Top Pin Bracket	437787	21
TOYOTA	7FDU301DZ	99-02	w/fan side TOC	PTA	19 3/4 x 16 7/8 x 1 7/8	Inlet 3/8 & Outlet 3/8	w/Top Pin Bracket	437798	22
TOYOTA	7FGU25-30	99-02	w/fan side TOC	PTA	19 3/4 x 16 7/8 x 1 7/8	Inlet 3/8 & Outlet 3/8	wo/Top Pin Bracket	437787	21
TOYOTA	7FGU25-30	99-02	w/fan side TOC	PTA	19 3/4 x 16 7/8 x 1 7/8	Inlet 3/8 & Outlet 3/8	w/Top Pin Bracket	437798	22



Fork Lift Radiator Quick Catalog

Application Guide

Verify with Image before ordering



Wherever you go, we have your Thermal Solution!! Call your local Heavy Duty Branch today for more detail.

Make	Model	Year Range	Cooler Notes	Build Type	Core Size	Connections	Notes	Part Number	Image Page
TOYOTA	7FGU254Y	99-02	w/fan side TOC	PTA	19 3/4 x 16 7/8 x 1 7/8	Inlet 3/8 & Outlet 3/8	wo/Top Pin Bracket	437787	21
TOYOTA	7FGU254Y	99-02	w/fan side TOC	PTA	19 3/4 x 16 7/8 x 1 7/8	Inlet 3/8 & Outlet 3/8	w/Top Pin Bracket	437798	22
TOYOTA	7FGU32	99-11	w/fan side TOC	PTA	19 3/4 x 16 7/8 x 1 7/8	Inlet 3/8 & Outlet 3/8	wo/Top Pin Bracket	437787	21
TOYOTA	7FGU32	99-11	w/fan side TOC	PTA	19 3/4 x 16 7/8 x 1 7/8	Inlet 3/8 & Outlet 3/8	w/Top Pin Bracket	437798	22
TOYOTA	6FGCU20	95-99	w/fan side TOC	CB	19 3/4 x 17 x 2 5/8	Inlet 5/16 & Outlet 5/16		437785	24
TOYOTA	6FGCU25	95-99	w/fan side TOC	CB	19 3/4 x 17 x 2 5/8	Inlet 5/16 & Outlet 5/16		437785	24
TOYOTA	6FGCU30	95-99	w/fan side TOC	CB	19 3/4 x 17 x 2 5/8	Inlet 5/16 & Outlet 5/16		437785	24



Fork Lift Radiator Quick Catalog

Application Guide

Verify with Image before ordering



Wherever you go, we have your Thermal Solution!! Call your local Heavy Duty Branch today for more detail.

Make	Model	Year Range	Cooler Notes	Build Type	Core Size	Connections	Notes	Part Number	Image Page
TOYOTA	6FGU20	95-99	w/fan side TOC	CB	19 3/4 x 17 x 2 5/8	Inlet 5/16 & Outlet 5/16		437785	24
TOYOTA	6FGU25	95-99	w/fan side TOC	CB	19 3/4 x 17 x 2 5/8	Inlet 5/16 & Outlet 5/16		437785	24
TOYOTA	6FGU30	95-99	w/fan side TOC	CB	19 3/4 x 17 x 2 5/8	Inlet 5/16 & Outlet 5/16		437785	24
TOYOTA	7FDAU5013Z	01-PR	w/fan side TOC	PTA	20 5/8 x 17 5/8 x 1 7/8	Inlet 3/8 & Outlet 3/8		437796	23
TOYOTA	7FDKU4013Z	01-PR	w/fan side TOC & EOC	PTA	20 5/8 x 17 5/8 x 1 7/8	Inlet 3/8 & Outlet 3/8		437795	23
TOYOTA	7FDU3513Z	01-PR	w/fan side TOC & EOC	PTA	20 5/8 x 17 5/8 x 1 7/8	Inlet 3/8 & Outlet 3/8		437795	23
TOYOTA	7FDU4513Z	01-PR	w/fan side TOC & EOC	PTA	20 5/8 x 17 5/8 x 1 7/8	Inlet 3/8 & Outlet 3/8		437795	23



Fork Lift Radiator Quick Catalog

Application Guide

Verify with Image before ordering



Wherever you go, we have your Thermal Solution!! Call your local Heavy Duty Branch today for more detail.

Make	Model	Year Range	Cooler Notes	Build Type	Core Size	Connections	Notes	Part Number	Image Page
TOYOTA	7FDU6013Z	01-PR	w/fan side TOC & EOC	PTA	20 5/8 x 17 5/8 x 1 7/8	Inlet 3/8 & Outlet 3/8		437795	23
TOYOTA	7FGAU50	01-11	w/fan side TOC & EOC	PTA	20 5/8 x 17 5/8 x 1 7/8	Inlet 3/8 & Outlet 3/8		437795	23
TOYOTA	7FGCU35	01-11	w/fan side TOC & EOC	PTA	20 5/8 x 17 5/8 x 1 7/8	Inlet 3/8 & Outlet 3/8		437795	23
TOYOTA	7FGCU45	01-11	w/fan side TOC & EOC	PTA	20 5/8 x 17 5/8 x 1 7/8	Inlet 3/8 & Outlet 3/8		437795	23
TOYOTA	7FGCU55	01-11	w/fan side TOC & EOC	PTA	20 5/8 x 17 5/8 x 1 7/8	Inlet 3/8 & Outlet 3/8		437795	23
TOYOTA	7FGCU60	01-11	w/fan side TOC & EOC	PTA	20 5/8 x 17 5/8 x 1 7/8	Inlet 3/8 & Outlet 3/8		437795	23
TOYOTA	7FGCU70	01-11	w/fan side TOC & EOC	PTA	20 5/8 x 17 5/8 x 1 7/8	Inlet 3/8 & Outlet 3/8		437795	23



Fork Lift Radiator Quick Catalog



Application Guide

Verify with Image before ordering

Wherever you go, we have your Thermal Solution!! Call your local Heavy Duty Branch today for more detail.

Make	Model	Year Range	Cooler Notes	Build Type	Core Size	Connections	Notes	Part Number	Image Page
TOYOTA	7FGU35	01-11	w/fan side TOC & EOC	PTA	20 5/8 x 17 5/8 x 1 7/8	Inlet 3/8 & Outlet 3/8		437795	23
TOYOTA	7FGU45	01-11	w/fan side TOC & EOC	PTA	20 5/8 x 17 5/8 x 1 7/8	Inlet 3/8 & Outlet 3/8		437795	23
TOYOTA	7FGU45GM6270	01-PR	w/fan side TOC	PTA	20 5/8 x 17 5/8 x 1 7/8	Inlet 3/8 & Outlet 3/8		437796	23
TOYOTA	7FGU60	01-11	w/fan side TOC & EOC	PTA	20 5/8 x 17 5/8 x 1 7/8	Inlet 3/8 & Outlet 3/8		437795	23
TOYOTA	7FGU70	01-11	w/fan side TOC & EOC	PTA	20 5/8 x 17 5/8 x 1 7/8	Inlet 3/8 & Outlet 3/8		437795	23
TOYOTA	7FGU80	01-11	w/fan side TOC & EOC	PTA	20 5/8 x 17 5/8 x 1 7/8	Inlet 3/8 & Outlet 3/8		437795	23



Fork Lift Radiator Quick Catalog

Application Guide

Verify with Image before ordering



Wherever you go, we have your Thermal Solution!! Call your local Heavy Duty Branch today for more detail.

Make	Model	Year Range	Cooler Notes	Build Type	Core Size	Connections	Notes	Part Number	Image Page



Fork Lift Radiator Quick Catalog

Application Guide

Verify with Image before ordering



Wherever you go, we have your Thermal Solution!! Call your local Heavy Duty Branch today for more detail.

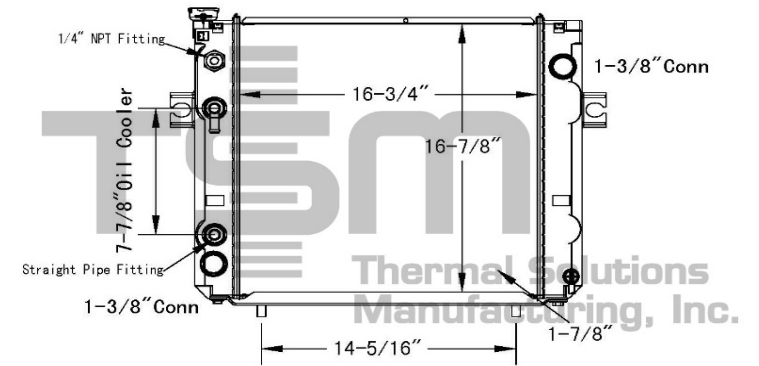
Make	Model	Year Range	Cooler Notes	Build Type	Core Size	Connections	Notes	Part Number	Image Page

HYSTER / YALE **437789**

Date of Release : **December-16**
 Make : **HYSTER / YALE**
 Common Models : **(01-05) H25-35XM / S25-35XM / S25-40XM / S40XMS**
 OE Core Size : **16 3/4 x 16 7/8 x 1 7/8**
 Inlet & Outlet Sizes : **Inlet 1 3/8 & Outlet 1 3/8**

Notes :

w/fan side TOC



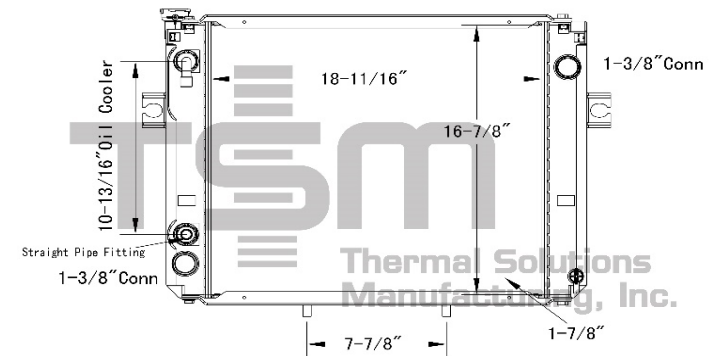
HYSTER / YALE **437794**

Date of Release : **December-16**
 Make : **HYSTER / YALE**
 Common Models : **(95-01) H177 / H45-65XM**
 OE Core Size : **18 11/16 x 16 7/8 x 1 7/8**
 Inlet & Outlet Sizes : **Inlet 1 3/8 & Outlet 1 3/8**

Notes :

w/fan side TOC

Compare Image with 437797



HYSTER / YALE

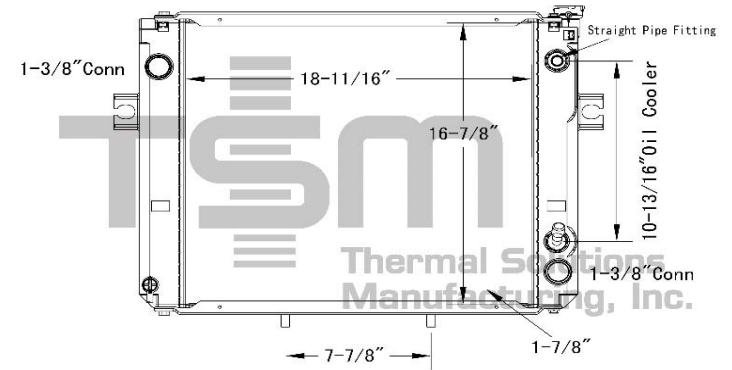
437797

Date of Release : **December-16**
 Make : **HYSTER / YALE**
 Common Models : **(95-01) H177 / H45-65XM**
 OE Core Size : **18 11/16 x 16 7/8 x 1 7/8**
 Inlet & Outlet Sizes : **Inlet 1 3/8 & Outlet 1 3/8**

Notes :

w/fan side TOC

Compare Image with 437794



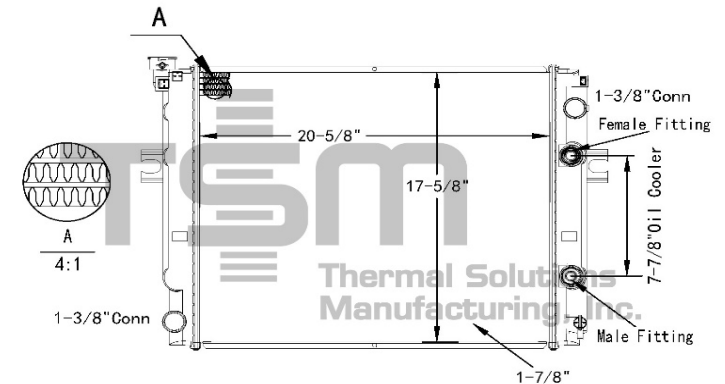
KOMATSU

437786

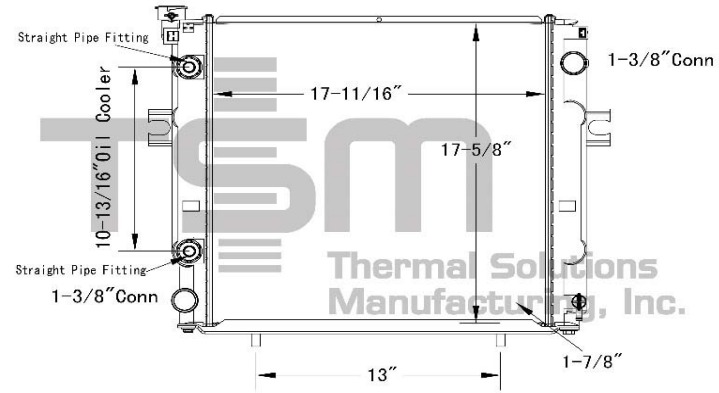
Date of Release : **December-16**
 Make : **KOMATSU**
 Common Models : **SEE IMAGE - UKNW**
 OE Core Size : **20 5/8 x 17 5/8 x 1 7/8**
 Inlet & Outlet Sizes : **Inlet 1 3/8 & Outlet 1 3/8**

Notes :

w/fan side TOC



MCFA	437791
<p>Date of Release : December-16 Make : MCFA Common Models : FG25N / GP35A / P5000 OE Core Size : 17 11/16 x 17 5/8 x 1 7/8 Inlet & Outlet Sizes : Inlet 1 3/8 & Outlet 1 3/8</p>	
<p>Notes :</p> <p>wo/Bottom Pin Bracket</p> <p>w/fan side TOC</p>	

MCFA	437792
<p>Date of Release : December-16 Make : MCFA Common Models : FG25N / GP35A / P5000 OE Core Size : 17 11/16 x 17 5/8 x 1 7/8 Inlet & Outlet Sizes : Inlet 1 3/8 & Outlet 1 3/8</p>	
<p>Notes :</p> <p>w/Bottom Pin Bracket</p> <p>w/fan side TOC</p>	

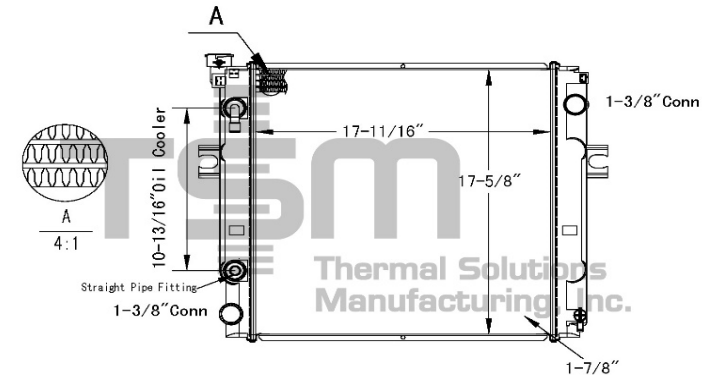
NISSAN

437788

Date of Release : **December-16**
 Make : **NISSAN**
 Common Models : **SEE IMAGE - UKNW**
 OE Core Size : **17 11/16 x 17 5/8 x 1 7/8**
 Inlet & Outlet Sizes : **Inlet 1 3/8 & Outlet 1 3/8**

Notes :

w/fan side TOC



TOYOTA

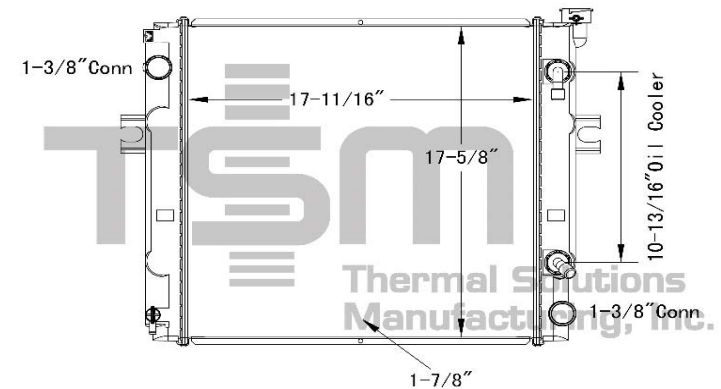
437790

Date of Release : **December-16**
 Make : **TOYOTA**
 Common Models : **(02-PR) 7FDU151DZ / 7FDU181DZ / 7FGU154Y (99-11) 7FGU15 / 7FGU20**
 OE Core Size : **17 11/16 x 17 5/8 x 1 7/8**
 Inlet & Outlet Sizes : **Inlet 1 3/8 & Outlet 1 3/8**

Notes :

wo/Top Pin Bracket

w/fan side TOC



TOYOTA

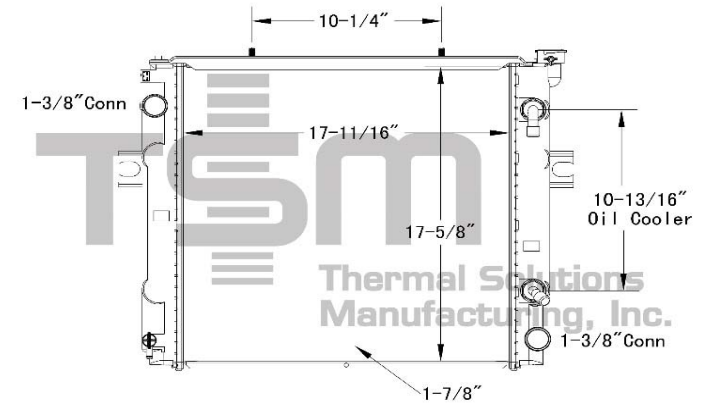
437799

Date of Release : **December-16**
 Make : **TOYOTA**
 Common Models : **(02-PR) 7FDU151DZ / 7FDU181DZ / 7FGU154Y (99-11) 7FGU15 / 7FGU20**
 OE Core Size : **17 11/16 x 17 5/8 x 1 7/8**
 Inlet & Outlet Sizes : **Inlet 1 3/8 & Outlet 1 3/8**

Notes :

w/Top Pin Bracket

w/fan side TOC



TOYOTA

437787

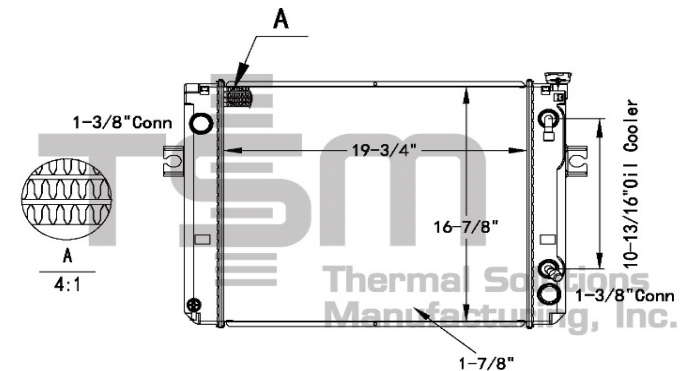
Date of Release : **December-16**
 Make : **TOYOTA**
 Common Models : **See Notes**
 OE Core Size : **19 3/4 x 16 7/8 x 1 7/8**
 Inlet & Outlet Sizes : **Inlet 1 3/8 & Outlet 1 3/8**

Notes :

wo/Top Pin Bracket

w/fan side TOC

(99-02) 028FDF30 / 7FDU201DZ / 7FDU251DZ / 7FDU301DZ / 7FGU25-30 / 7FGU254Y (99-11) 7FGU32



TOYOTA

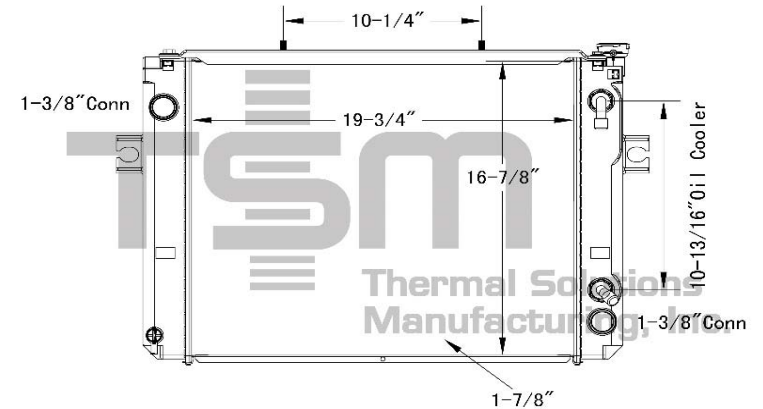
437798

Date of Release : **December-16**
 Make : **TOYOTA**
 Common Models : **See Notes**
 OE Core Size : **19 3/4 x 16 7/8 x 1 7/8**
 Inlet & Outlet Sizes : **Inlet 1 3/8 & Outlet 1 3/8**

Notes :

w/Top Pin Bracket
w/fan side TOC

(99-02) 028FDF30 / 7FDU201DZ / 7FDU251DZ / 7FDU301DZ / 7FGU25-30 / 7FGU254Y (99-11) 7FGU32



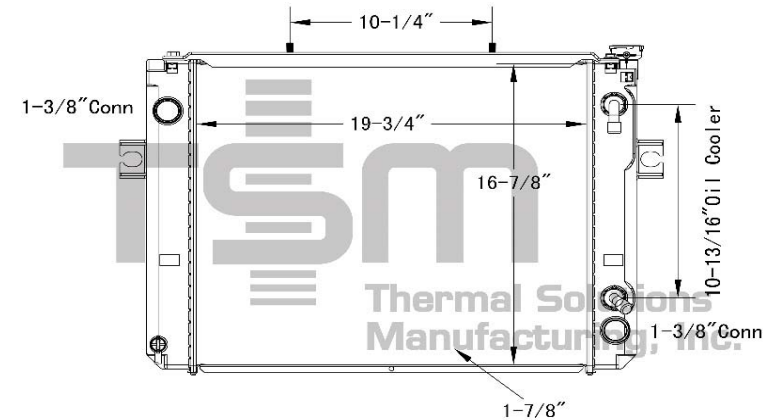
TOYOTA

437793

Date of Release : **December-16**
 Make : **TOYOTA**
 Common Models : **(01-PR) 027FDF20 / 0427FDF20 / 627FDF20**
 OE Core Size : **19 3/4 x 16 7/8 x 1 7/8**
 Inlet & Outlet Sizes : **Inlet 1 3/8 & Outlet 1 3/8**

Notes :

w/fan side TOC



TOYOTA

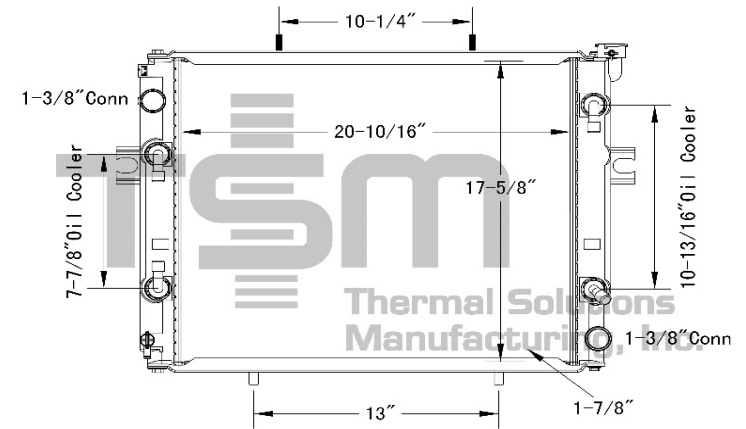
437795

Date of Release : **December-16**
 Make : **TOYOTA**
 Common Models : **See Notes**
 OE Core Size : **20 5/8 x 17 5/8 x 1 7/8**
 Inlet & Outlet Sizes : **Inlet 1 3/8 & Outlet 1 3/8**

Notes :

w/fan side TOC & EOC

(01-PR) 7FDKU4013Z / 7FDU3513Z / 7FDU4513Z / 7FDU6013Z (01-11) 7FGAU50 / 7FGCU35 / 7FGCU45 / 7FGCU55 / 7FGCU60 / 7FGCU70 / 7FGU35 / 7FGU45 / 7FGU60 / 7FGU70 / 7FGU80



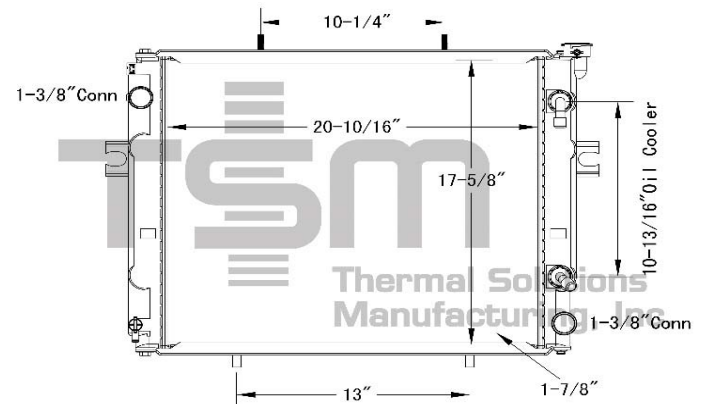
TOYOTA

437796

Date of Release : **December-16**
 Make : **TOYOTA**
 Common Models : **(01-PR) 7FDAU5013Z / 7FGU45GM6270**
 OE Core Size : **20 5/8 x 17 5/8 x 1 7/8**
 Inlet & Outlet Sizes : **Inlet 1 3/8 & Outlet 1 3/8**

Notes :

w/fan side TOC



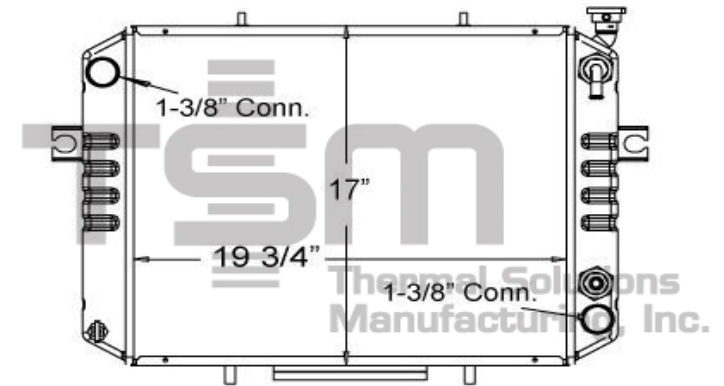
TOYOTA

437785

Date of Release : **May-17**
 Make : **TOYOTA**
 Common Models : **(95-99) 6FGCU20, 6FGCU25, 6FGCU30, 6FGU20, 6FGU25, 6FGU30**
 OE Core Size : **19 3/4 x 17 x 2 5/8**
 Inlet & Outlet Sizes : **Inlet 1 5/16 & Outlet 1 5/16**

Notes :

w/fan side TOC



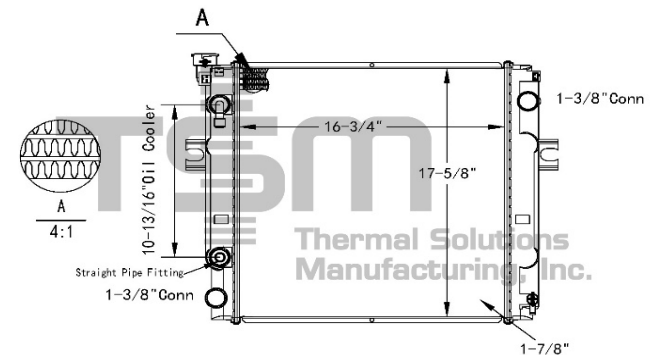
NISSAN

437775

Date of Release : **October-17**
 Make : **NISSAN**
 Common Models : **SEE IMAGE**
 OE Core Size : **16 3/4 x 17 5/8 x 1 7/8**
 Inlet & Outlet Sizes : **Inlet 1 3/8 & Outlet 1 3/8**

Notes :

w/fan side TOC



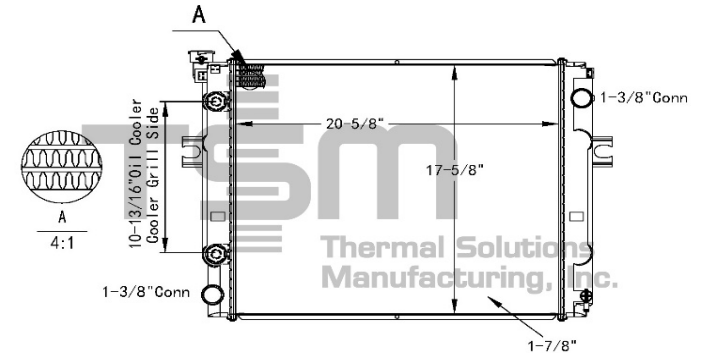
KOMATSU

437776

Date of Release : **October-17**
 Make : **KOMATSU**
 Common Models : **SEE IMAGE**
 OE Core Size : **20 5/8 x 17 5/8 x 1 7/8**
 Inlet & Outlet Sizes : **Inlet 1 3/8 & Outlet 1 3/8**

Notes :

w/fan side TOC



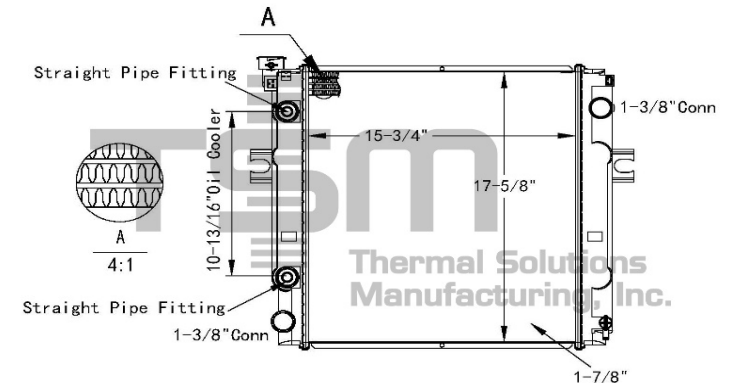
MCFA - MITSUBISHI / CATERPILLAR

437777

Date of Release : **October-17**
 Make : **MCFA - MITSUBISHI / CATERPILLAR**
 Common Models : **SEE IMAGE**
 OE Core Size : **15 3/4 x 17 5/8 x 1 7/8**
 Inlet & Outlet Sizes : **Inlet 1 3/8 & Outlet 1 3/8**

Notes :

w/fan side TOC



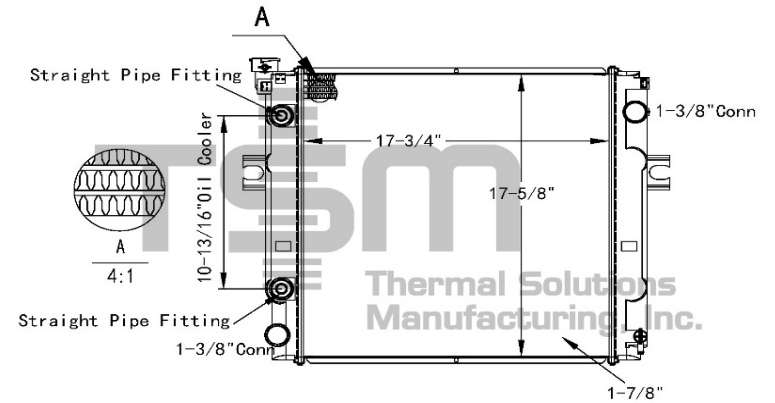
NISSAN

437778

Date of Release : **October-17**
 Make : **NISSAN**
 Common Models : **SEE IMAGE**
 OE Core Size : **17 3/4 x 17 5/8 x 1 7/8**
 Inlet & Outlet Sizes : **Inlet 1 3/8 & Outlet 1 3/8**

Notes :

w/fan side TOC



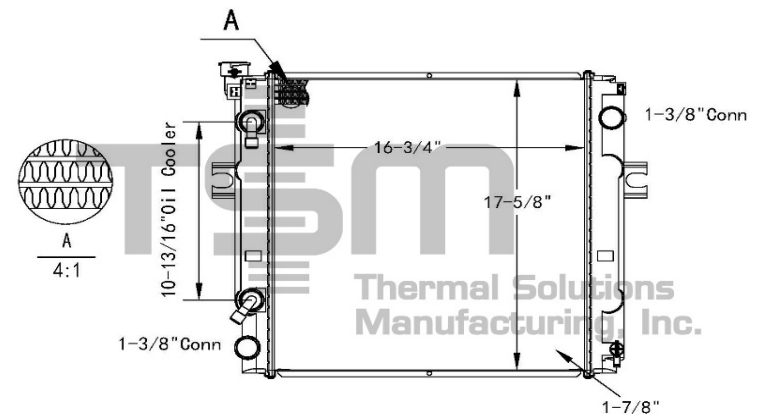
NISSAN

437779

Date of Release : **October-17**
 Make : **NISSAN**
 Common Models : **SEE IMAGE**
 OE Core Size : **16 3/4 x 17 5/8 x 1 7/8**
 Inlet & Outlet Sizes : **Inlet 1 3/8 & Outlet 1 3/8**

Notes :

w/fan side TOC



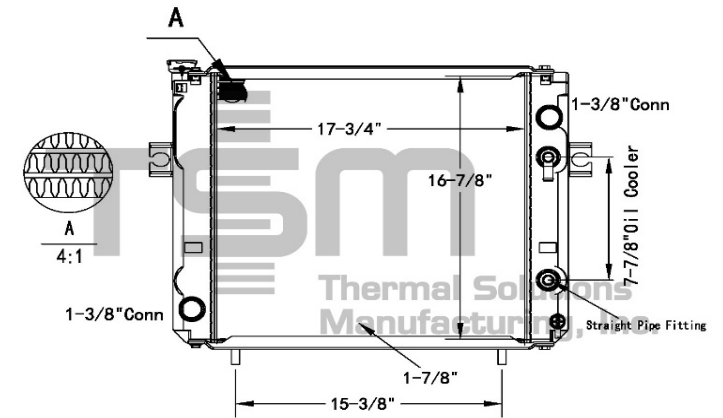
KOMATSU

437780

Date of Release : **October-17**
 Make : **KOMATSU**
 Common Models : **SEE IMAGE**
 OE Core Size : **17 3/4 x 16 7/8 x 1 7/8**
 Inlet & Outlet Sizes : **Inlet 1 3/8 & Outlet 1 3/8**

Notes :

w/fan side TOC

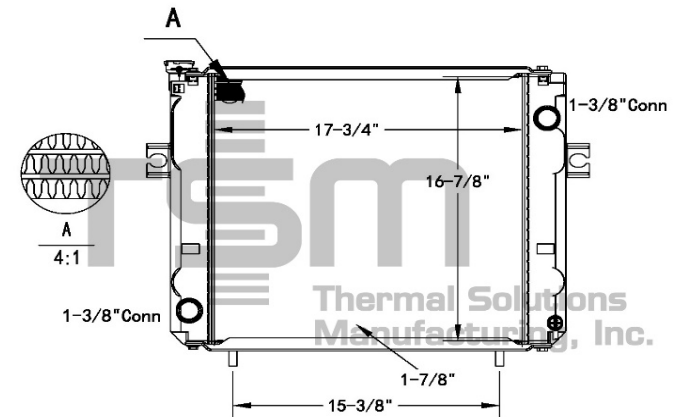


KOMATSU

437781

Date of Release : **October-17**
 Make : **KOMATSU**
 Common Models : **SEE IMAGE**
 OE Core Size : **17 3/4 x 16 7/8 x 1 7/8**
 Inlet & Outlet Sizes : **Inlet 1 3/8 & Outlet 1 3/8**

Notes :



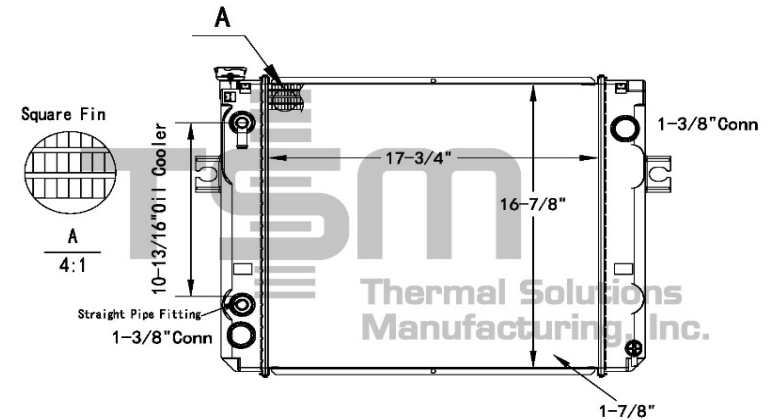
TCM

437782

Date of Release : **October-17**
 Make : **TCM**
 Common Models : **SEE IMAGE**
 OE Core Size : **17 3/4 x 16 7/8 x 1 7/8**
 Inlet & Outlet Sizes : **Inlet 1 3/8" & Outlet 1 3/8"**

Notes :

w/fan side TOC



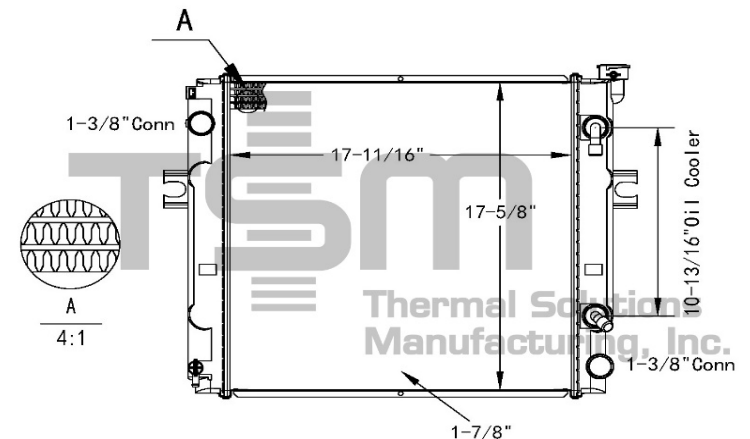
TOYOTA

437783

Date of Release : **October-17**
 Make : **TOYOTA**
 Common Models : **SEE IMAGE**
 OE Core Size : **17 11/16 x 17 5/8 x 1 7/8**
 Inlet & Outlet Sizes : **Inlet 1 3/8" & Outlet 1 3/8"**

Notes :

w/fan side TOC

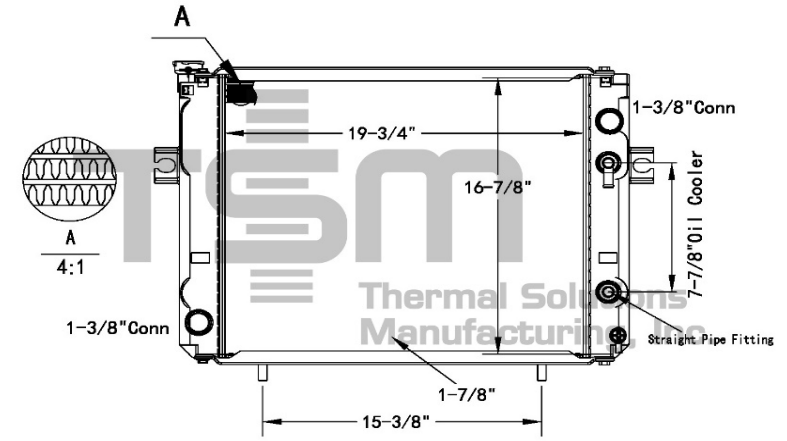


KOMATSU **437784**

Date of Release : **October-17**
 Make : **KOMATSU**
 Common Models : **SEE IMAGE**
 OE Core Size : **19 3/4 x 16 7/8 x 1 7/8**
 Inlet & Outlet Sizes : **Inlet 1 3/8 & Outlet 1 3/8**

Notes :

w/fan side TOC



Blank header row

Date of Release :
 Make :
 Common Models :
 OE Core Size :
 Inlet & Outlet Sizes :

Notes :

